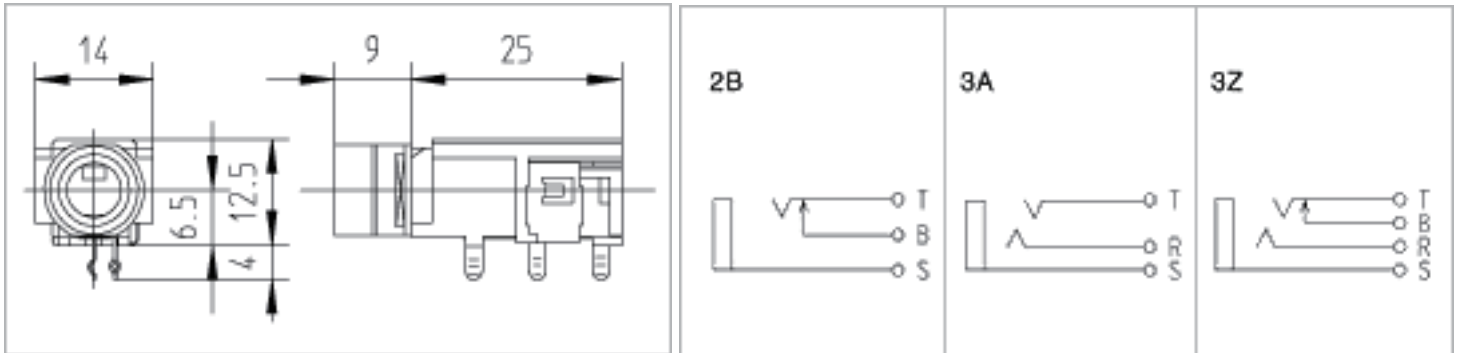
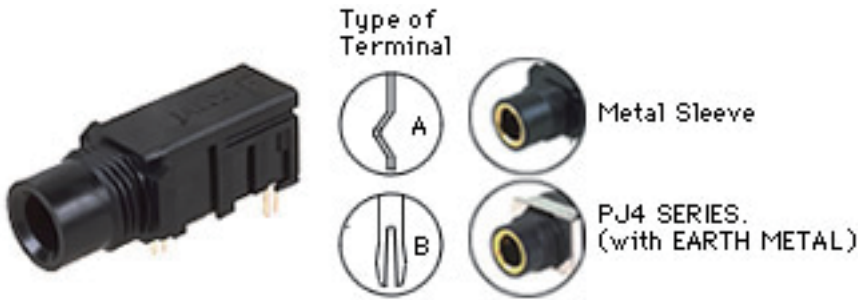


PHONE JACK  
SPECIFICATIONS

Contact Resistance : 30mΩ max.  
 Insulation Resistance : 100MΩ min. at DC 500V  
 Insulation Withstanding Voltage : 500V AC for one minute.  
 6.5 DIA PJ3 SERIES



6.5 DIA PJ9 SERIES

